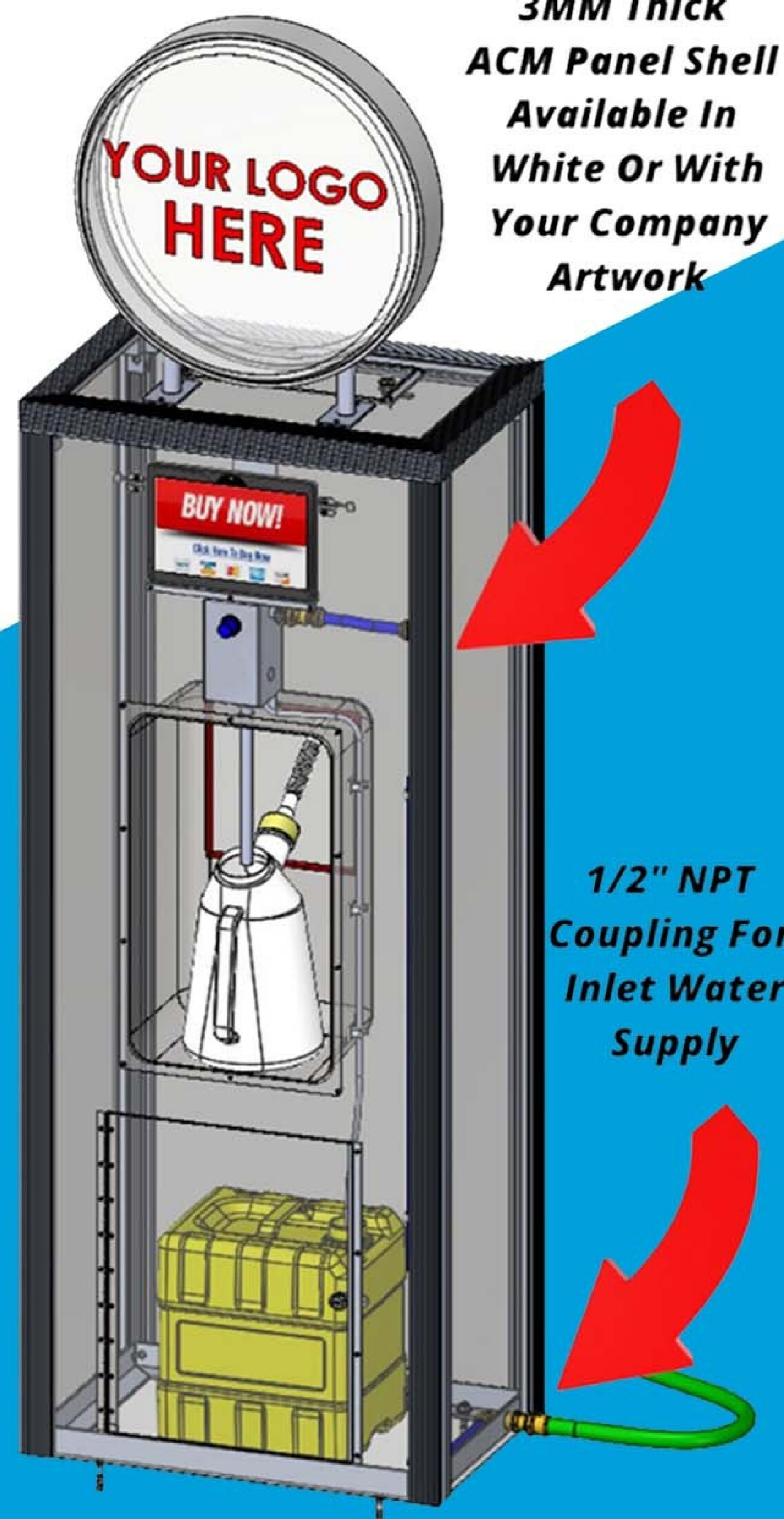


PROVEN RESULTS

- More than 50% of return customers came back for the free washer fluid.
- 68% of the customers are now visiting the convenience store due to running promotional ads and offers on the displays screens located on the units.
- Return customer loyalty increased due to receipt of extra services for free.



3MM Thick
ACM Panel Shell
Available In
White Or With
Your Company
Artwork

1/2" NPT
Coupling For
Inlet Water
Supply



CONTACT US

Phone
+1 (888) 554-6440

Email
Info@TheCarWashSupply.com

Web
www.TheCarWashSupply.com

Address
2800 NW 107th Ave, Doral, FL 33172



@THECARWASHSUPPLY_

SCAN FOR MORE INFO



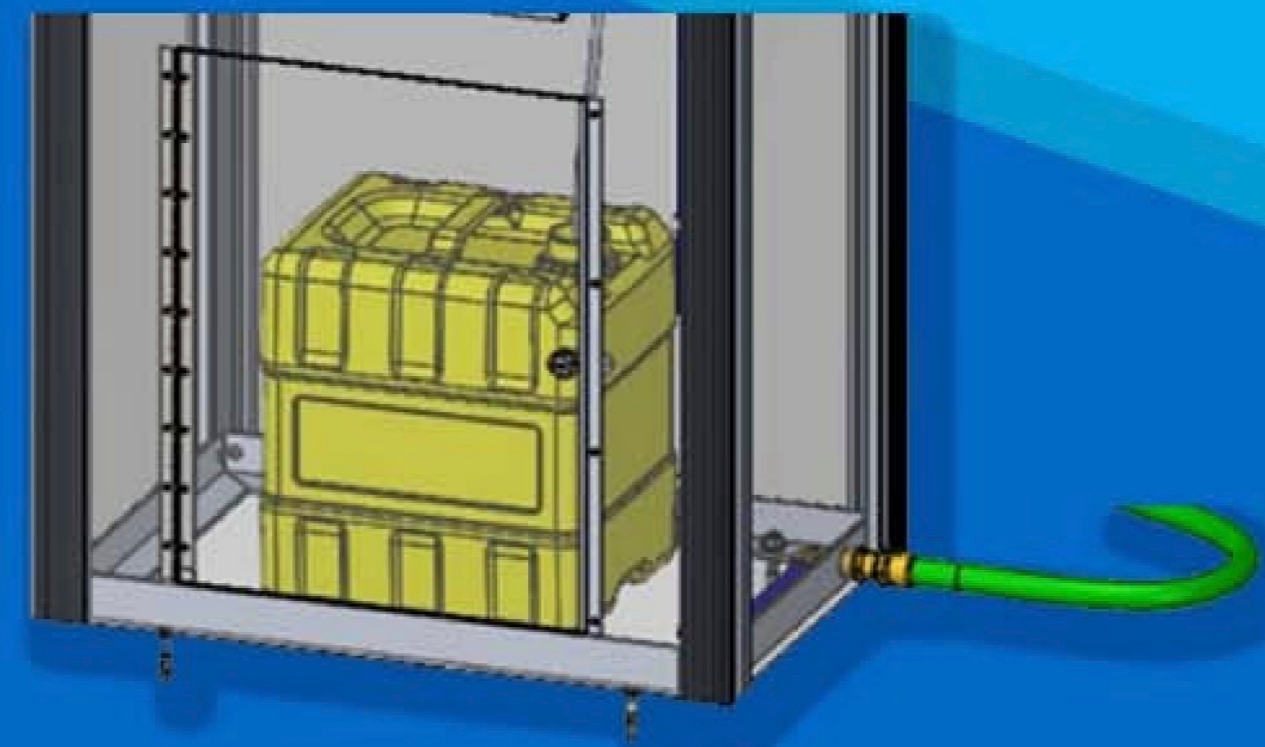
THE BEST
SOLUTIONS
FOR YOUR CAR WASH



www.ThecarWashSupply.com

FEATURES

Front access door
W/ Lock
for maintenance
and concentrate
product
replenishment.



REQUIREMENTS

1/2" NPT inlet for water supply
110V outlet required.

SPECIFICATIONS

Machine frame height: 60"

Machine frame width: 24"

Machine frame depth: 16"

Stainless Steel hardware

Led logo dimensions:

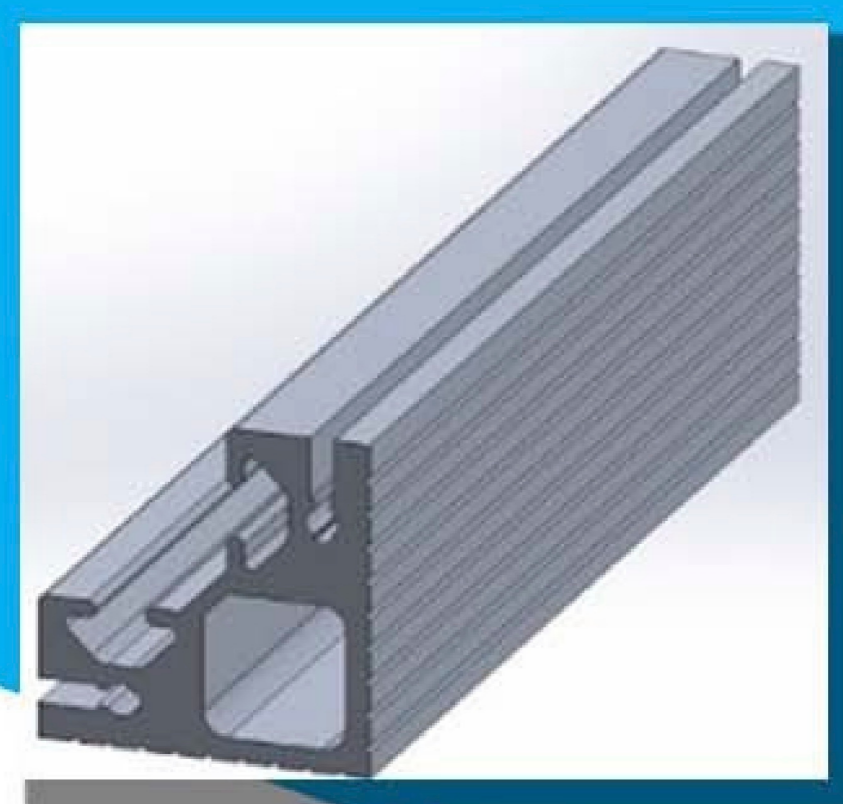
20" diameter X 4" wide

Machine overall height: 84 - 1/2"

Machine weight: 75 Lbs.

FRAME CONSTRUCTION

1-3/4" Heavy duty anodized
aluminum frame
construction.



Target Markets

Carwashes: Attract more customers by offering services that set your business apart from the competition.

Gas station: Offer your customers convenience and lower costs while increasing your profits.

Dealerships & service centers: Continue to offer your customers professional services at reduced costs to you.



Marketing Tool



10.3 Android touch screen displays promotions or special offers and helps boost convenience store sales.

(Plus Version only)



Customized Logo



20' Diameter backlit display highlights your company name.

PROFITABILITY

- +Increase sales.
- +Promote customers loyalty.

Incentive Pay back program for hosting ads on your units available. Find out how you can partner up and receive free money now!

For more information:
(888) 554-6440

